

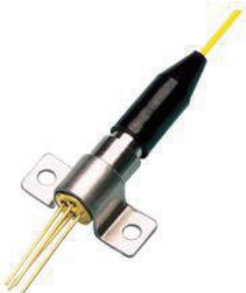
980nm 15mW SM Coaxial Pigtailed Laser Diode

976nm~980nm Fiber Coupled LD with SMF

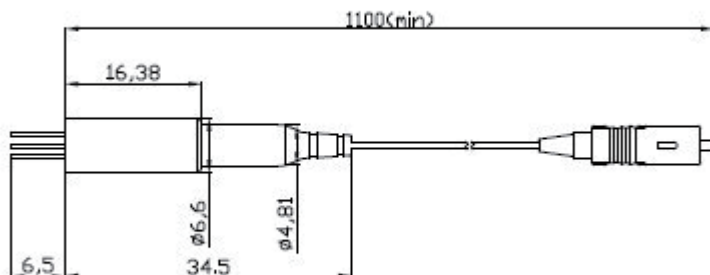
WSLP-980-015m-9-PD

Wavespectrum laser inc.

www.wavespectrum-laser.com

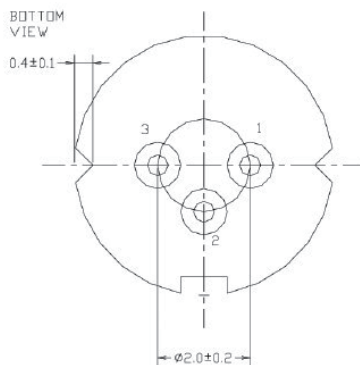
980nm Pigtailed Diode Laser		15mW/SM Fiber		Wavespectrum Laser, Inc	
PARAMETER	SYMBOL	VALUE		UNIT	
Reverse Voltage	V_r	2.0		V	
Operating Temperature	T_{op}	-10~+40		°C	
Storage Temperature	T_{stg}	-40 ~ +85		°C	
Lead soldering temperature (10 sec.)	T_{is}	260		°C	
Features: <ul style="list-style-type: none"> 980nm SM Fiber Coaxial package Built-in PD 					
Applications: <ul style="list-style-type: none"> Medical laser treatment Communication 					
Specifications		WSLP-980-015m-9-PD			
		Min	Type	Max	
Center Wavelength@25°C		970nm	980nm	990nm	
Spectral Width (FWHM)		----	2.0nm	3.0nm	
Output Power		----	15mW	17mW	
Fiber Core		9 μ m			
Slope Efficiency		0.8mW/mA	0.9mW/mA	----	
Monitor Current		----	0.1mA	----	
PD Reverse Voltage		----	30V	----	
Fiber Connector		FC/ST/SMA905			
Fiber Length		----	80cm	100cm	
Threshold Current (Typ.)		----	35mA	45mA	
Operating Current (Typ.)		----	90mA	90mA	
Operating Voltage		----	2.0V	2.5V	
Package Style		Coaxial			

Coaxial Package View



单位: mm

PIN Bottom View:



1	LD(+)
2	LD(-)&PD(+)
3	PD(-)

**Electrically shorten LD module and store in non-extreme conditions.
Suggest using the constant current power supply.**

